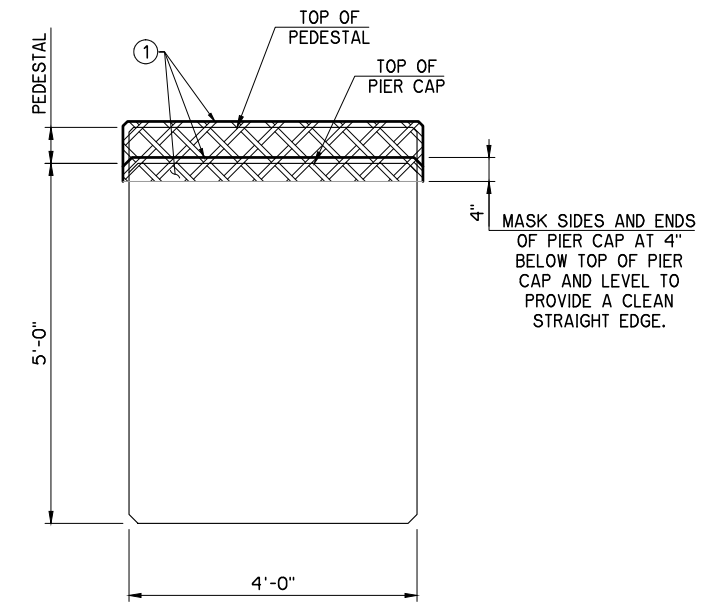


REVISIONS		
REV. NO.	DESCRIPTION	DATE

PIER REPAIR QUANTITIES (NOT PHASED)																					
ITEM	UNIT	PIER NO. 1		PIER NO. 2		PIER NO. 3		PIER NO. 4		PIER NO. 5		PIER NO. 6		PIER NO. 7		PIER NO. 8		PIER NO. 9		PIER NO. 10	
		PIER CAP	BELOW PIER CAP	PIER CAP	BELOW PIER CAP	PIER CAP	BELOW PIER CAP	PIER CAP	BELOW PIER CAP	PIER CAP	BELOW PIER CAP	PIER CAP	BELOW PIER CAP	PIER CAP	BELOW PIER CAP	PIER CAP	BELOW PIER CAP	PIER CAP	BELOW PIER CAP	PIER CAP	BELOW PIER CAP
SPECIAL CONCRETE FINISH	S.Y.	32		34		32		34		32		34		32		34		32		34	
PREPARATION OF CRACKS, ABOVE WATER	L.F.																		9		6
EPOXY RESIN, ABOVE WATER	GAL.																		0.8		0.5
REPAIR BRIDGE ITEMS	S.Y.	6.4	1.8	0.8		0.3	0.4	1.5	0.4	7.1	8.6	4.4	0.2		4.8	6.5		15.5		14.1	

PIER REPAIR QUANTITIES (NOT PHASED)																					
ITEM	UNIT	PIER NO. 11		PIER NO. 12		PIER NO. 13		PIER NO. 14		PIER NO. 15		PIER NO. 16		PIER NO. 17		PIER NO. 18		PIER NO. 19		PIER NO. 20	
		PIER CAP	BELOW PIER CAP	PIER CAP	BELOW PIER CAP	PIER CAP	BELOW PIER CAP	PIER CAP	BELOW PIER CAP	PIER CAP	BELOW PIER CAP	PIER CAP	BELOW PIER CAP	PIER CAP	BELOW PIER CAP	PIER CAP	BELOW PIER CAP	PIER CAP	BELOW PIER CAP	PIER CAP	BELOW PIER CAP
SPECIAL CONCRETE FINISH	S.Y.	32		34		32		34		32		34		32		34		32		34	
PREPARATION OF CRACKS, ABOVE WATER	L.F.	3				3															
EPOXY RESIN, ABOVE WATER	GAL.	0.3				0.3															
REPAIR BRIDGE ITEMS	S.Y.	13.8	0.3	6.0		27.1		9.3	0.2	5.7		12.4		49.2	0.7	13.3	1.6	17.2		14.4	

PIER REPAIR QUANTITIES (NOT PHASED)											
ITEM	UNIT	PIER NO. 21		PIER NO. 22		PIER NO. 23		PIER NO. 24		TOTAL PIER CAP	TOTAL BELOW PIER CAP
		PIER CAP	BELOW PIER CAP	PIER CAP	BELOW PIER CAP	PIER CAP	BELOW PIER CAP	PIER CAP	BELOW PIER CAP		
SPECIAL CONCRETE FINISH	S.Y.	32		34		32		34		792	
PREPARATION OF CRACKS, ABOVE WATER	L.F.							4		25	
EPOXY RESIN, ABOVE WATER	GAL.							0.3		2.0	
REPAIR BRIDGE ITEMS	S.Y.	31.1		13.4		18.7		8.7		296.9	19.0



SPECIAL CONCRETE FINISH DETAIL

① APPLY CIM 1000, SPECIAL CONCRETE FINISH, TO ALL SURFACES SHOWN WITH HEAVY LINES AND HATCH (INCLUDING PEDESTALS AND ENDS OF CAP).

SH 51 NB OVER ARKANSAS RIVER		TULSA COUNTY		Design	ADT
PIER REPAIR DETAILS PIER QUANTITIES				Detail	FEZ
				Check	ADT
WHITE ENGINEERING ASSOCIATES					
STATE OF OKLAHOMA		DEPARTMENT OF TRANSPORTATION			
JOB PIECE NO. 31358(04)		SHEET NO. 25			